



Lightech™ LED Driver

97513

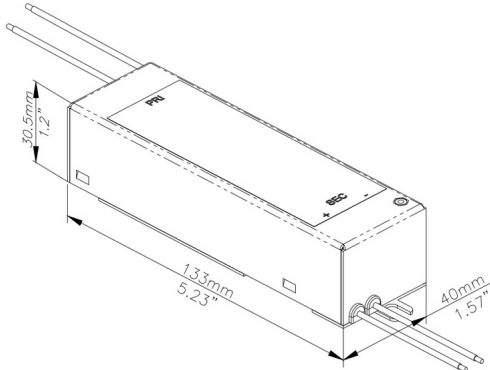
LED 48 DC 1050mA

9010481050P

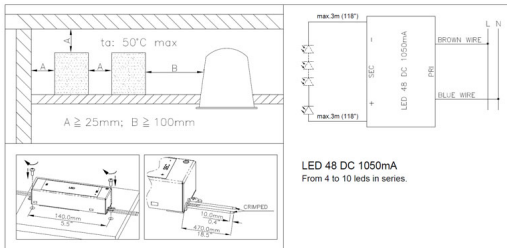
48W DC 1050mA constant current LED driver. From 4 to 10 LEDs in series.
Dimmable with Trailing Edge (reverse phase control) dimmers. Aluminum Casing.
Potted. Universal input. European version.

Current: DC

Availability: B



Error loading product image, please request the PDF again



Specs

Power: 48.0 W

Input specs

Inrush current limiter: true
Power factor: 0.98
Input current: 0.25-0.25 A
Input frequency: 50/60 Hz
Input voltage: 220.0-240.0 V
Efficiency: 89 %

Output specs

Output current: 1050.0 mA
Output voltage range: 4.0-46.0 V

Dimmable

Dimmable: true

Protections

Over temperature protection: true
Reinforced insulation: true
Input voltage surge protection: true

Environment

Ta min: -25.0 °C
IP : 67
Ta max: 70.0 °C
Tc: 85.0 °C
IP67 certification: yes
Storage temp.: -10...70 °C

Standards

VDE EMC:
CE: true
VDE Safety:
SELV: true

Mechanical

Potted: true
Case color: black
Output wire size: 18.0 AWG
Input wire size (mm²): 0.75 mm²
Output wire color: black/red
Casing width: 40.0 mm
Casing length: 133.0 mm
Case material: Aluminum
Input wires color: blue/brown
Casing height: 30.5 mm

Marketing

Applications:
1- Led in- and outdoor lighting
2- Street lighting
3- Architectural lighting
4- Signage
5- Indication and orientation lighting
6- Ambience lighting

Features:
1- Dimmable with Trailing Edge dimmers
2- Designed for IP67
3- Reinforced insulation from input to output
4- High efficiency
5- PFC: > 0.95
6- Fully protected: Short circuit, Input voltage surge, Thermal, Secondary switch
7- Overload regulation, Over voltage protection. Self-resettable
8- AC/DC
9- Soft start

Sales

Availability: B

Notes:

- Specifications may vary without notice
- Always consult National, State and local electrical codes
- Parameters are measured at rated output, rated load and at an ambient temperature of 25°C
- Expect slight variation including component tolerance, setup tolerance, line regulation and load regulation
- Power supplies should always be stress tested and tested for EMC within specific fixtures
- Where grounding/earthing is not indicated, avoid grounding/earthing or contact with grounded/earthed metal enclosures
- Performance with dimmers, where supported, may vary depending on dimmer model
- Subject to limited warranty (3yr for transformers, 5yr for drivers) terms and conditions as published from time to time