



Lightech™ LED Driver

97516

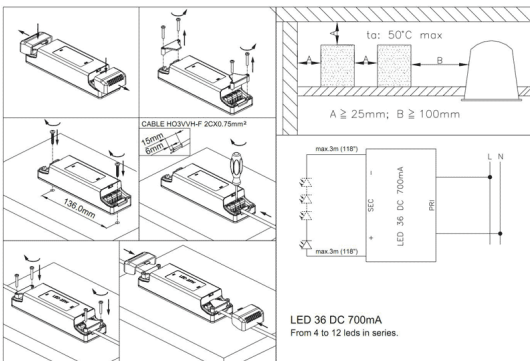
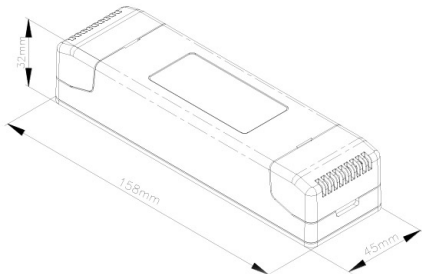
LED 36W 700mA Terminal Blocks

901036700TB

36W DC 700mA constant current LED driver. Plastic Casing. Terminal Blocks.

Current: DC

Availability: B



Specs

Power: 36.0 W

Input specs

Power factor: 0.97
Input current: 0.2-0.2 A
Input frequency: 0/50/60 Hz
Input voltage: 220.0-240.0 V
Efficiency: 89 %

Output specs

Output current: 700.0 mA
Output voltage range: 4.0-52.0 V

Dimmable

Dimmable (trailing edge): 25 % (down to)
Dimmable: true

Protections

Over temperature protection: true
Reinforced insulation: true
Input voltage surge protection: true

Environment

Ta min: -25.0 °C
IP : 20
Ta max: 50.0 °C
Tc: 90.0 °C
Storage temp.: -10...70 °C

Standards

CE: true
SELV: true

Mechanical

Output wire size: 18.0 AWG
Weight: 0.28 kg
Input wire size (mm²): 0.75 mm²
Casing width: 45.0 mm
Casing length: 158.0 mm
Case material: Plastic
Casing height: 32.0 mm

Marketing

Applications:

- Led indoor lighting.
- Architectural lighting.
- Indication and orientation lighting.
- Safety lighting.
- Ambient lighting

Features:

- Dimmable with Trailing Edge dimming
- High efficiency
- PFC > 0.97
- Fully protected: Short circuit, Input voltage surge, Thermal, Secondary switch, Overload regulation, Over voltage protection. Self-resettable.
- AC/DC
- Soft start
- Strain relief and TB cover

Sales

Availability: B

Notes:

- Specifications may vary without notice
- Always consult National, State and local electrical codes
- Parameters are measured at rated output, rated load and at an ambient temperature of 25°C
- Expect slight variation including component tolerance, setup tolerance, line regulation and load regulation
- Power supplies should always be stress tested and tested for EMC within specific fixtures
- Where grounding/earthing is not indicated, avoid grounding/earthing or contact with grounded/earthed metal enclosures
- Performance with dimmers, where supported, may vary depending on dimmer model
- Subject to limited warranty (3yr for transformers, 5yr for drivers) terms and conditions as published from time to time