

LED 36W 700mA

36W DC 700mA constant current LED driver. From 4 to 12 LEDs in series. White color, ideal for use in signage applications. Aluminum Casing. Dimmable with Trailing Edge dimmer. Potted. European version.

Current: DC Dimmable: Trailing-edge(reverse) line: 35
 SKU: 901036700PS



Specs

Power:	36.0 W
Life:	50000.0 hrs

Input specs

Power factor:	0.97
Input current:	0.2-0.2 A
Input frequency:	50/60 Hz
Input voltage:	220.0-240.0 V
Efficiency:	89 %

Output specs

Output current:	700.0 mA
Output voltage range:	4.0-52.0

Dimmable

Dimmable (trailing edge):	35 % (down to)
Dimmable:	✓

Protections

Over temperature protection:	✓
Reinforced insulation:	✓
Input voltage surge protection:	✓

Environment

Ta min:	-25.0 °C
Ta max:	70.0 °C
Tc:	85.0 °C

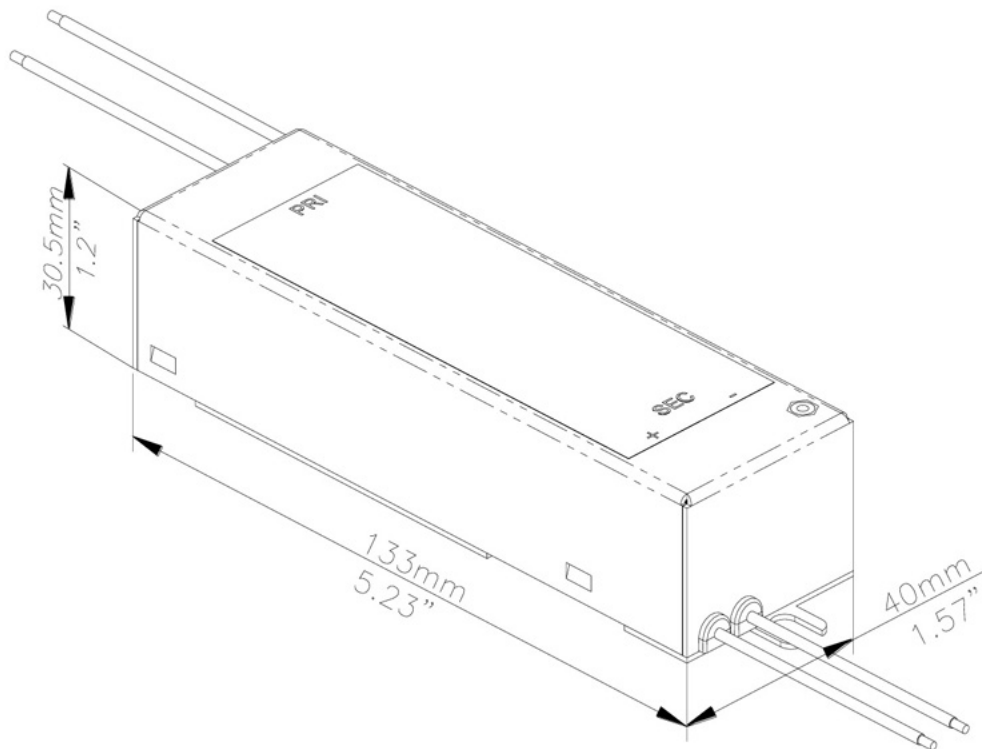
Standards

VDE EMC:	EN61547; EN61000-3-3; EN61000-3-2; EN55015
CE:	✓
VDE Safety:	EN61347-1; EN61347-2- 13; EN62384
ENEC:	Approved by VDE
SELV:	✓



Diagrams

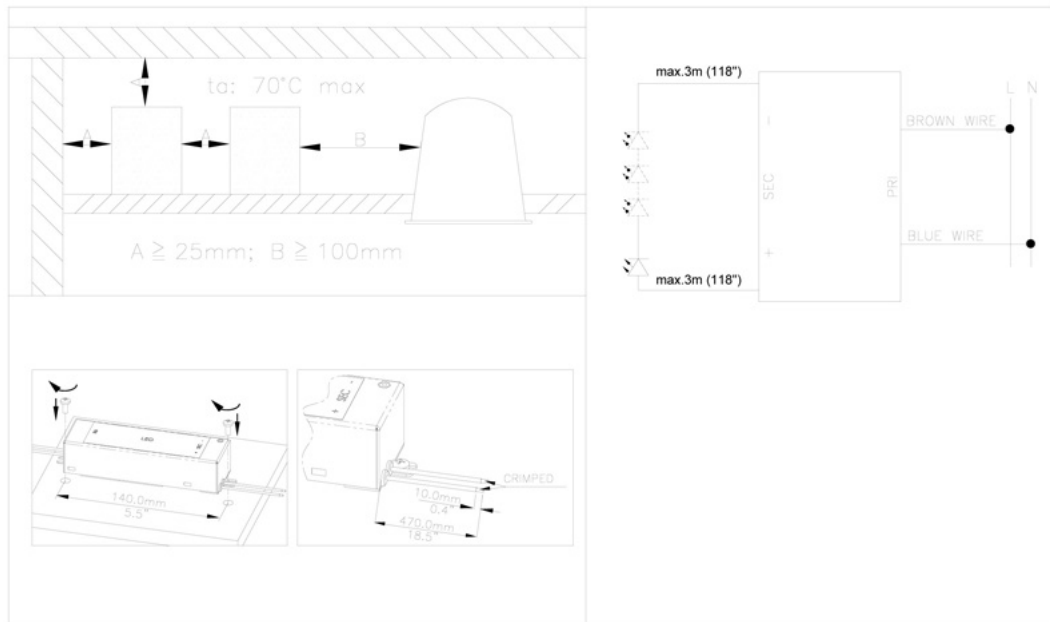
Product diagram



Product photo



Installation diagram



Notes:

- Specifications may vary without notice
- Always consult National, State and local electrical codes
- IP67 products should never be immersed or exposed to direct rainfall
- Parameters are measured at rated output, rated load and at an ambient temperature of 25°C

- Expect slight variation including component tolerance, setup tolerance, line regulation and load regulation
- Power supplies should always be stress tested and tested for EMC within specific fixtures
- Where grounding/earthing is not indicated, avoid grounding/earthing or contact with grounded/earthed metal enclosures
- Performance with dimmers, where supported, may vary depending on dimmer model
- Subject to limited warranty (3yr for transformers, 5yr for drivers) terms and conditions as published from time to time