



Lightech™ LED Driver

97522

LED 36W DC 1050mA Aluminum

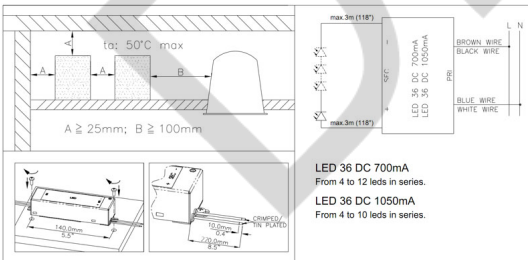
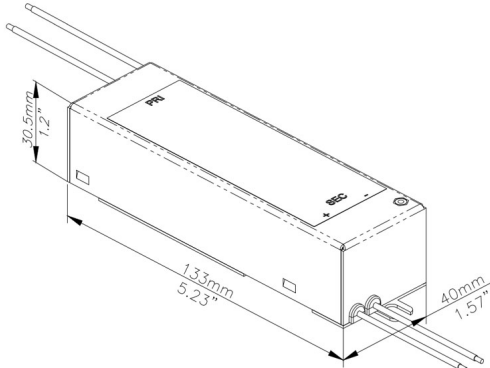
9010361050P

LED36CC1050EPD

LED 36W DC 1050mA - LED Driver, Constant Current, Aluminum Housing, Potted, with Leads

Current: DC

Availability: A



Specs

Power: 36.0 W
Life: 50000.0 hrs

Input specs

Power factor: 0.98
Input current: 0.2-0.2 A
Input frequency: 50/60 Hz
Input voltage: 220.0-240.0 V
Efficiency: 89 %

Output specs

Output current: 1050.0 mA
Output voltage range: 12.0-35.0 V
Output current tolerance: 7.0 %

Dimmable

Dimmable (trailing edge): 10 % (down to)

Protections

Over temperature protection: true
Reinforced insulation: true
Input voltage surge protection: true
Secondary protection: true

Environment

Ta min: -25.0 °C
IP : 67
Ta max: 50.0 °C
Tc: 85.0 °C
IP67 certification: LIGENV_IEC.17133.CRev1
Storage temp.: -10...70 °C

Standards

CE: true
ENEC: Nemko Licence No. NO3258
Class II: true
SELV: true
Nemko EMC: Certif. No.CCA-EMC 1239 03
IECEE CB: Nemko Certif. No.NO75188

Mechanical

Potted: true
Case color: black
Output wire size: 18.0 AWG
Weight: 0.28 kg
Input wire size (mm²): 0.75 mm²
Output wire color: black/red
Casing width: 40.0 mm
Casing length: 133.0 mm
Case material: Aluminum
Input wires color: blue/brown
Casing height: 30.5 mm
Input wire length: 220 mm
Output wire length: 220 mm
INPUT WIRE DOUBLE INSULATED (BOOLEAN): true

Marketing

Applications:

- LED in- and outdoor lighting
- Street lighting
- Architectural lighting
- Signage
- Indication and orientation lighting
- Ambience lighting

Features:

- Dimmable with Trailing Edge dimmers
- Designed for IP67
- Reinforced insulation from input to output
- High efficiency
- PFC: > 0.95
- Fully protected: Short circuit, Input voltage surge, Thermal, Secondary switch, Overload regulation, Over voltage protection, Self-resetting

Sales

Availability: A

Complies with:-
European Directive 2006/95/EC
EN 55015(2006)+A1(2007)+A2(2009)
EN 61347-1:2008+A1
IEC 61347-1(ed.2):2007+A1:2010
EN 61347-2-13:2006

IEC 61347-2-13(ed.1)
EN 62384:2006+A1:2009
EN 61000-3-2(2006)+A1(2009)+A2(2009)
EN 61000-3-3(2008)
EN 61547(2009)
EN 62493 (2010)
SELV
ROHS

Notes:

- Specifications may vary without notice
- Always consult National, State and local electrical codes
- Parameters are measured at rated output, rated load and at an ambient temperature of 25°C
- Expect slight variation including component tolerance, setup tolerance, line regulation and load regulation
- Power supplies should always be stress tested and tested for EMC within specific fixtures
- Where grounding/earthing is not indicated, avoid grounding/earthing or contact with grounded/earthed metal enclosures
- Performance with dimmers, where supported, may vary depending on dimmer model
- Subject to limited warranty (3yr for transformers, 5yr for drivers) terms and conditions as published from time to time

DRAFT