



Lightech™ LED Driver

97748

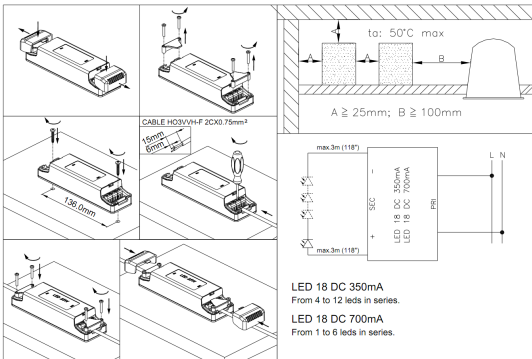
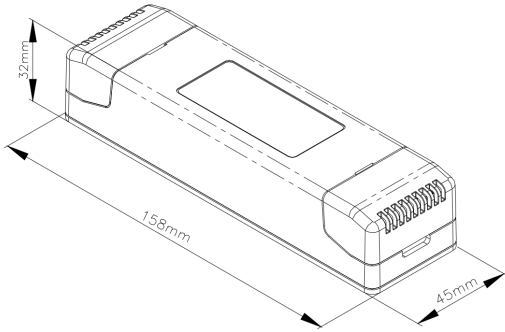
LED 18 DC 700mA TB

901018700TB

18W DC 700mA constant current LED driver. From 1 to 6 LEDs in series. Plastic Casing. European version.

Current: DC

Availability: B



Specs

Power: 18.0 W

Input specs

Power factor: 0.95
 Input current: 0.1-0.1 A
 Input frequency: 0/50/60 Hz
 Input voltage: 220.0-240.0 V
 Efficiency: 83 %

Output specs

Output current: 700.0 mA
 Output voltage range: 4.0-26.0 V

Dimmable

Dimmable (trailing edge): 25 % (down to)
 Dimmable: true

Protections

Over temperature protection: true
 Reinforced insulation: true
 Input voltage surge protection: true

Environment

Ta min: -25.0 °C
 IP : 20
 Ta max: 50.0 °C
 Tc: 90.0 °C
 Storage temp.: -10...70 °C

Standards

VDE EMC: Pending
 CE: true
 VDE Safety: Pending
 SELV: true

Mechanical

Potted: false
 Case color: white
 Output wire size: 18.0 AWG
 Weight: 0.23 kg
 Input wire size (mm²): 0.75 mm²
 Casing width: 45.0 mm
 Casing length: 158.0 mm
 Case material: Plastic
 Casing height: 32.0 mm

Marketing

Applications:
 1. Led indoor lighting.
 2. Architectural lighting.
 3. Indication and orientation lighting.
 4. Safety lighting.
 5. Ambient lighting.

Features:
 1. High efficiency
 2. PFC > 0.95
 3. Fully protected: Short circuit, Input voltage surge, Thermal, Secondary switch, Overload regulation, Over voltage protection. Self-resettable.
 4. AC/DC.
 5. Soft start.
 6. Strain relief and TB cover.

Sales

Availability: B

Notes:

- Specifications may vary without notice
- Always consult National, State and local electrical codes
- Parameters are measured at rated output, rated load and at an ambient temperature of 25°C
- Expect slight variation including component tolerance, setup tolerance, line regulation and load regulation
- Power supplies should always be stress tested and tested for EMC within specific fixtures
- Where grounding/earthing is not indicated, avoid grounding/earthing or contact with grounded/earthed metal enclosures
- Performance with dimmers, where supported, may vary depending on dimmer model
- Subject to limited warranty (3yr for transformers, 5yr for drivers) terms and conditions as published from time to time