



Lightech™ LED Driver

97757

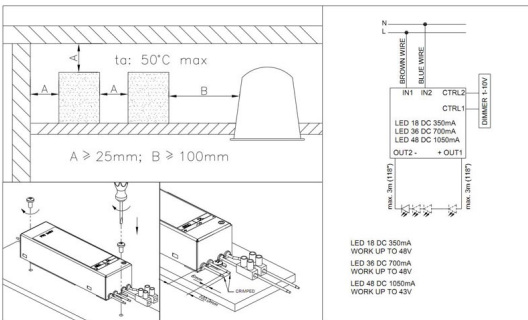
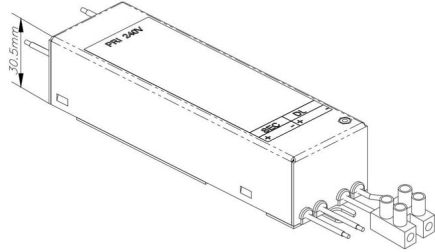
LED 18W DC 350mA Aluminum

901018351P240DL

LED 18W DC 350mA Aluminum Housing, Potted, Leads Converter, Europe version, input: 240V, Thermal Protection, Dimming Loop

Current: DC

Availability: B



Specs

Power: 18.0 W

Input specs

Inrush current limiter: true
Power factor: 0.96
Input current: 0.1-0.1 A
Input frequency: 0/50/60 Hz
Input voltage: 220.0-240.0 V
Efficiency: 87 %

Output specs

Output current: 350.0 mA
Output voltage range: 12.0-48.0 V

Dimmable

1-10V dimming loop: true
Dimmable: true

Protections

Over temperature protection: true
Reinforced insulation: true
Input voltage surge protection: true

Environment

Ta min: -25.0 °C
IP : 67
Ta max: 50.0 °C
Tc: 80.0 °C
IP67 certification: yes
Storage temp.: -10...70 °C

Standards

CE: true
SELV: true

Mechanical

Potted: true
Case color: black
Output wire size: 18.0 AWG
Weight: 0.28 kg
Input wire size (mm²): 0.75 mm²
Output wire color: black/red
Casing width: 40.0 mm
Casing length: 133.0 mm
Case material: Aluminum
Input wires color: blue/brown
Casing height: 30.5 mm

Marketing

Applications:

- Led in- and outdoor lighting
- Street lighting
- Architectural lighting
- Signage
- Indication and orientation lighting
- Ambience lighting

Features:

- Dimmable with 1-10v
- Designed for IP67
- Reinforced insulation from input to output
- High efficiency
- PFC : >0.90
- Fully protected: Short circuit, Input high voltage, Thermal, Secondary switch, Overload regulation, Over voltage protection. Self-resettable
- AC/DC input
- Soft start. Secondary switching protection

Sales

Availability: B

Notes:

- Specifications may vary without notice
- Always consult National, State and local electrical codes
- Parameters are measured at rated output, rated load and at an ambient temperature of 25°C
- Expect slight variation including component tolerance, setup tolerance, line regulation and load regulation
- Power supplies should always be stress tested and tested for EMC within specific fixtures
- Where grounding/earthing is not indicated, avoid grounding/earthing or contact with grounded/earthed metal enclosures
- Performance with dimmers, where supported, may vary depending on dimmer model
- Subject to limited warranty (3yr for transformers, 5yr for drivers) terms and conditions as published from time to time