



Lightech™ LED Driver

97756

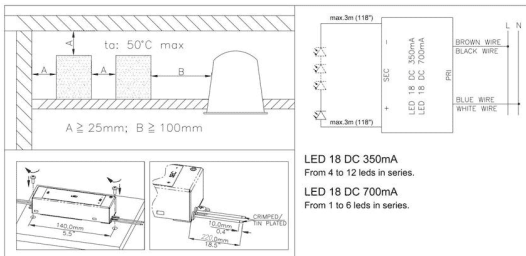
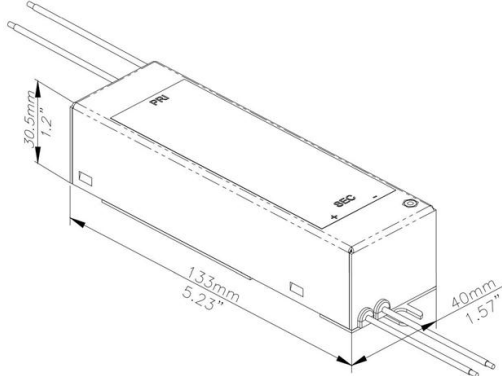
LED 18W DC 350mA

901018350P

LED 18W DC 350mA - LED Driver, Constant Current, Aluminum Housing, Potted, with Leads

Current: DC

Availability: A



Specs

Field MTBF: 50000.0 h
Power: 18.0 W

Input specs

Inrush current limiter: true
Power factor: 0.96
Input current: 0.1-0.1 A
Input frequency: 50/60 Hz
Input voltage: 220.0-240.0 V
Efficiency: 85 %

Output specs

Output current: 350.0 mA
Output voltage range: 4.0-52.0 V
Output current tolerance: 9.0 %

Dimmable

Dimmable (trailing edge): 35 % (down to)
Dimmable: true

Protections

Over temperature protection: true
Reinforced insulation: true
Input voltage surge protection: true
Secondary protection: true

Environment

Ta min: -25.0 °C
IP : 67
Ta max: 70.0 °C
Tc: 80.0 °C
IP67 certification:
Storage temp.: -10...70 °C

Standards

VDE EMC: 40029123
CE: true
UL:
VDE Safety: 40029123
ENEC: Certified by VDE
SELV: true

Mechanical

Potted: true
Case color: black
Output wire size: 18.0 AWG
Weight: 0.28 kg
Input wire size (mm²): 0.75 mm²
Output wire color: black/red
Casing width: 40.0 mm
Casing length: 133.0 mm
Case material: Aluminum
Input wires color: blue/brown
Casing height: 30.0 mm
Input wire length: 470 mm
Output wire length: 470 mm

Marketing

Applications:

1. Led in- and outdoor lighting
2. Street lighting
3. Architectural lighting
4. Signage
5. Indication and orientation lighting
6. Ambience lighting

Features:

1. Dimmable with Trailing Edge dimmers
2. Designed for IP67
3. Reinforced insulation from input to output
4. High efficiency
5. PFC: > 0.95
6. Fully protected: Short circuit, Input voltage surge, Thermal, Secondary switch
7. Overload regulation, Over voltage protection. Self-resettable
8. AC/DC
9. Soft start

Sales

Availability: A

Complies with:-
European Directive 73/23/EEC
EN55015:2009-11
EN55015:2006+A1:2007+A2:2009

EN61000-3-2:2010-03
EN61000-3-2:2006+A1:2009+A2:2009
EN61000-3-3:2009-06
EN61000-3-3:2008
EN61347-1:2009-04
EN61347-1:2008-05
EN61347-2-13:2007-04
EN61347-2-13:2006
EN61547:2010-03
EN61547:2009
EN62384:2007-04
EN62384:2006-09
SELV

Notes:

- Specifications may vary without notice
- Always consult National, State and local electrical codes
- Parameters are measured at rated output, rated load and at an ambient temperature of 25°C
- Expect slight variation including component tolerance, setup tolerance, line regulation and load regulation
- Power supplies should always be stress tested and tested for EMC within specific fixtures
- Where grounding/earthing is not indicated, avoid grounding/earthing or contact with grounded/earthed metal enclosures
- Performance with dimmers, where supported, may vary depending on dimmer model
- Subject to limited warranty (3yr for transformers, 5yr for drivers) terms and conditions as published from time to time