



Lightech™ LED Driver

98444

LED DC 15W 350mA ELBD

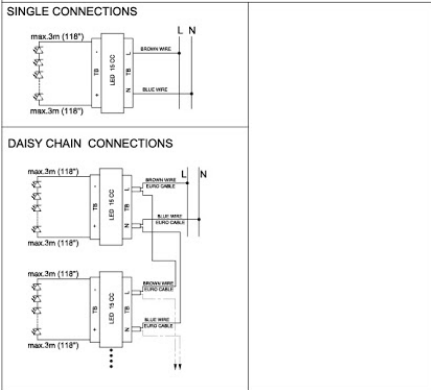
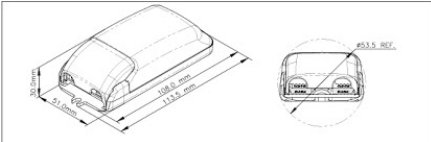
901015350ELBD

LED15CC350ELB

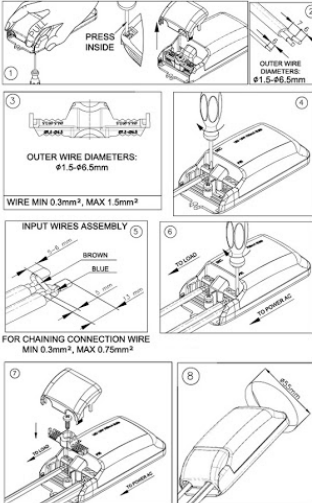
LED Driver DC CC, "Lite Beetle". Independent version with Terminal Block.

Current: DC

Availability: B



Constant current converter for wires $\phi 1.5 - \phi 6.5\text{mm}$



Complies with:-
European Directive 2006/95/EC
EN 55015(2006)+A1(2007)+A2(2009)
EN 61347-1:2008+A1
IEC 61347-1(ed.2):2007+A1:2010
EN 61347-2-13:2006
IEC 61347-2-13(ed.1)
EN 62384:2006+A1:2009
EN 61000-3-2(2006)+A1(2009)+A2(2009)
EN 61000-3-3(2008)
EN 61547(2009)
EN 62493(2010)
SELV

Notes:

- Specifications may vary without notice
- Always consult National, State and local electrical codes
- Parameters are measured at rated output, rated load and at an ambient temperature of 25°C

Specs

Power: 15.0 W

Input specs

Power factor: 0.9
Input current: 0.12-0.12 A
Input frequency: 50 Hz
Input voltage: 220.0-240.0 V
Efficiency: 80 %

Output specs

Output current: 350.0 mA
Output voltage range: 21.0-43.0 V

Dimmable

Dimmable (trailing edge): 5 % (down to)
Dimmable: true

Protections

Over temperature protection: true
Reinforced insulation: true
Input voltage surge protection: true
Secondary protection: true

Environment

Ta min: 0.0 °C
IP : 20
Ta max: 45.0 °C
Tc: 75.0 °C
Storage temp.: -10...50 °C

Standards

CE: true
ENEC: Nemko Licence NO3284
SELV: true
Nemko EMC: Certificate CCA-EMC 1304 01
IECEE CB: Certificate NO75596

Mechanical

Case color: white
Weight: 0.086 kg
Case material: Plastic

Marketing

Applications:
1. Led indoor lighting
2. Architectural lighting
3. Indication and orientation lighting
4. Safety lighting
5. Ambient lighting

Features:
1. High efficiency
2. High PF
3 Protection: Electronic internal Self-Resettable Short Circuit, Input Voltage Surge, Thermal, Secondary Switch, Fast current protection for load.
4. AC
5. Fast start.
6. Strain relief and TB cover
7. Chain connection.

Sales

Availability: B

- Expect slight variation including component tolerance, setup tolerance, line regulation and load regulation
- Power supplies should always be stress tested and tested for EMC within specific fixtures
- Where grounding/earthing is not indicated, avoid grounding/earthing or contact with grounded/earthed metal enclosures
- Performance with dimmers, where supported, may vary depending on dimmer model
- Subject to limited warranty (3yr for transformers, 5yr for drivers) terms and conditions as published from time to time