



Lightech™ LED Driver

97397

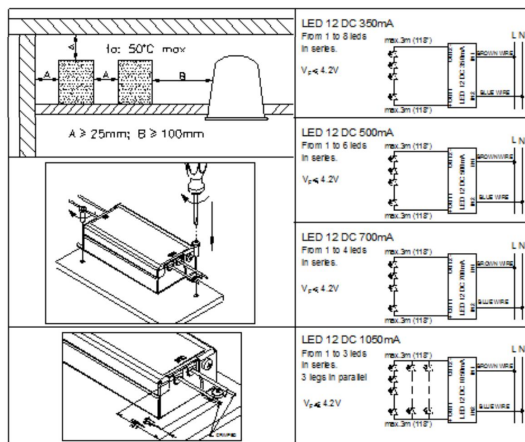
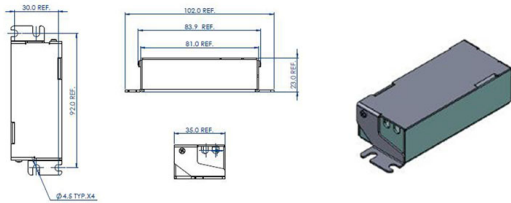
LED 12 DC 1050mA Aluminum

9010121050P

LED 12 DC 1050mA Alum. Housing, Potted, Leads Converter, Europe Black housing

Current: DC

Availability: A



Specs

Power: 12.0 W

Input specs

Inrush current limiter: false
Power factor: 0.5
Input current: 0.14-0.21 A
Input frequency: 0/50/60 Hz
Input voltage: 120.0-240.0 V
Efficiency: 77 %

Output specs

Output current: 1050.0 mA
Output voltage range: 2.0-12.5 V

Protections

Over temperature protection: true
Reinforced insulation: true
Input voltage surge protection: true

Environment

Ta min: -25.0 °C
IP : 67
Ta max: 50.0 °C
Tc: 65.0 °C
IP67 certification: yes
Storage temp.: -10...70 °C

Standards

VDE EMC: Pending
CE: true
VDE Safety: Pending
ENEC: Pending
SELV: true

Mechanical

Potted: true
Case color: black
Output wire size: 18.0 AWG
Input wire size (mm²): 0.75 mm²
Output wire color: black/red
Casing width: 40.0 mm
Casing length: 80.0 mm
Case material: Aluminum
Input wires color: blue/brown
Casing height: 23.0 mm

Marketing

Applications:

- LED in- and outdoor lighting
- Street lighting
- Architectural lighting
- Orientation lighting
- Ambience lighting
- Task, Table and Floor lighting

Features:

- Designed for IP67
- Designed for UL
- Reinforced insulation from input to output
- Small dimensions
- Protections: Electronic internal Self-Resettable Short Circuit, Input Voltage Surge, Thermal
- AC Input
- Fast Start-Up Time
- Hi-efficiency, very high Vout range (up to 2-35V)

Sales

Availability: A

Notes:

- Specifications may vary without notice
- Always consult National, State and local electrical codes
- Parameters are measured at rated output, rated load and at an ambient temperature of 25°C
- Expect slight variation including component tolerance, setup tolerance, line regulation and load regulation
- Power supplies should always be stress tested and tested for EMC within specific fixtures
- Where grounding/earthing is not indicated, avoid grounding/earthing or contact with grounded/earthed metal enclosures
- Performance with dimmers, where supported, may vary depending on dimmer model
- Subject to limited warranty (3yr for transformers, 5yr for drivers) terms and conditions as published from time to time