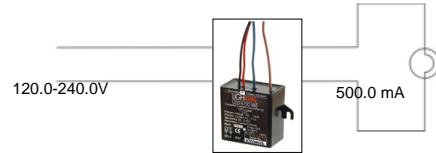


LED 6 DC 500mA Plastic

6W DC 500mA constant current LED driver. From 1 to 3 LEDs in a series. Plastic Casing. Potted.

Current: DC

SKU: 901006501 Availability: B



Specs

Field MTBF:	50000.0 h
Power:	6.0 W

Input specs

Inrush current limiter:	✓
Power factor:	0.5
Input current:	0.07-0.12 A
Input frequency:	50/60 Hz
Input voltage:	120.0-240.0 V
Efficiency:	70 %

Output specs

Output current:	500.0 mA
Output voltage range:	2.0-14.0

Dimmable

Dimmable:	✗
-----------	---

Protections

Over temperature protection:	✓
Reinforced insulation:	✓
Input voltage surge protection:	✓
Secondary protection:	✗

Environment

Ta min:	-25.0 °C
IP :	67
Ta max:	50.0 °C
Tc:	75.0 °C
IP67 certification:	
Storage temp. (max):	-10-70 °C

Standards

VDE EMC:	EN61547; EN61000-3-3; EN61000-3-2; EN55015
CE:	✓
VDE Safety:	EN61347-1; EN61347-2-13; EN62384
ENEC:	yes
Class II:	✗
SELV:	✓

Marketing

Applications:	<ol style="list-style-type: none"> 1. LED in- and outdoor lighting 2. Architectural lighting 3. Orientation lighting 4. Ambience lighting 5. Task, Table and Floor lighting
Features:	<ol style="list-style-type: none"> 1. Designed for IP67 2. Reinforced insulation from input to output 3. Small form factor 4. Protections: Electronic internal Self-Resettable Short Circuit, Input Voltage Surge, Thermal 5. AC Input 6. Fast Start-Up Time 7. 120-240V Input 8. High-efficiency, high Vout range (up to 2-20V)

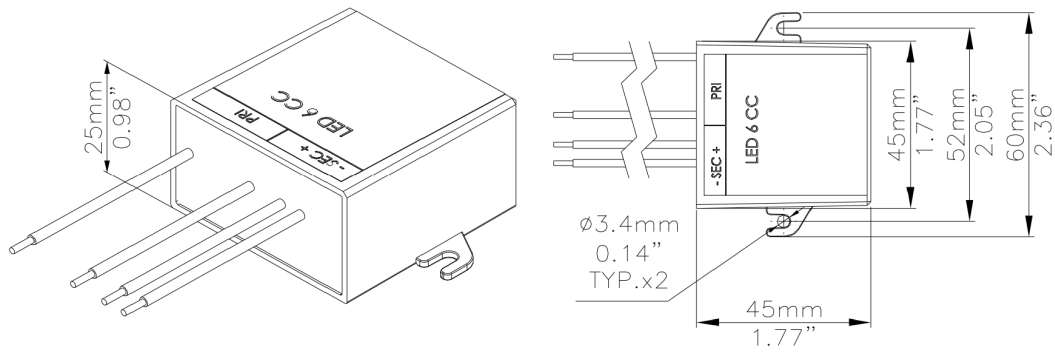
Sales

Availability:	B
---------------	---

Complies with:-
 European Directive 73/23/EEC
 EN55015:2009-11
 EN55015:2006+A1:2007+A2:2009
 EN61000-3-2:2010-03
 EN61000-3-2:2006+A1:2009+A2:2009
 EN61000-3-3:2009-06
 EN61000-3-3:2008
 EN61347-1:2009-04
 EN61347-1:2008-05
 EN61347-2-13:2007-04
 EN61347-2-13:2006
 EN61547:2010-03
 EN61547:2009
 EN62384:2007-04
 EN62384:2006-09
 SELV

Diagrams

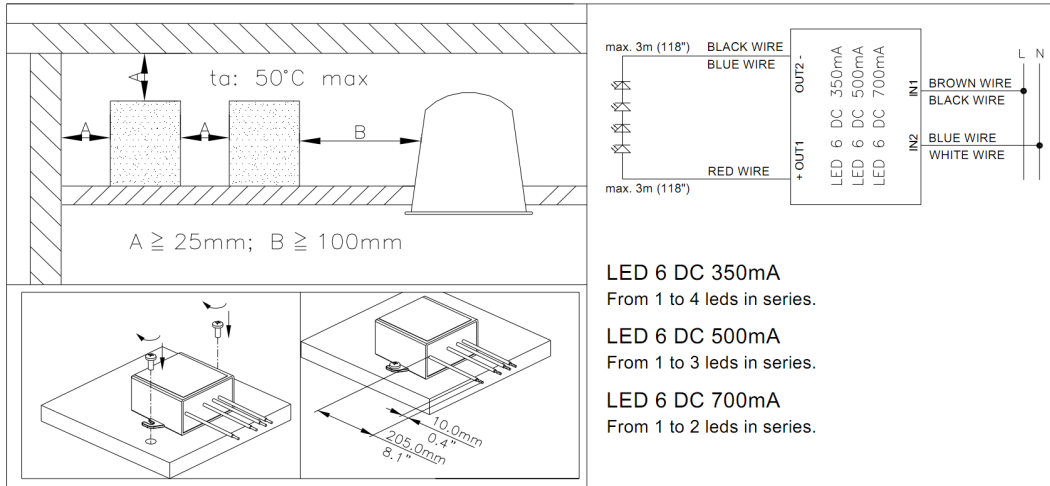
Product diagram



Product photo



Installation diagram



- LED 6 DC 350mA**
From 1 to 4 leds in series.
- LED 6 DC 500mA**
From 1 to 3 leds in series.
- LED 6 DC 700mA**
From 1 to 2 leds in series.

Notes:

- Specifications may vary without notice
- Always consult National, State and local electrical codes
- IP67 products should never be immersed or exposed to direct rainfall
- Parameters are measured at rated output, rated load and at an ambient temperature of 25°C
- Expect slight variation including component tolerance, setup tolerance, line regulation and load regulation
- Power supplies should always be stress tested and tested for EMC within specific fixtures
- Where grounding/earthing is not indicated, avoid grounding/earthing or contact with grounded/earthed metal enclosures
- Performance with dimmers, where supported, may vary depending on dimmer model
- Subject to limited warranty (3yr for transformers, 5yr for drivers) terms and conditions as published from time to time