



Lightech™ LED Driver

97746

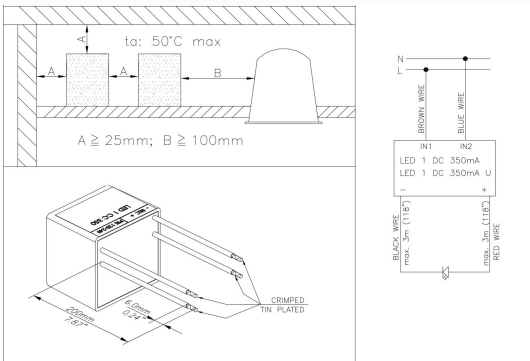
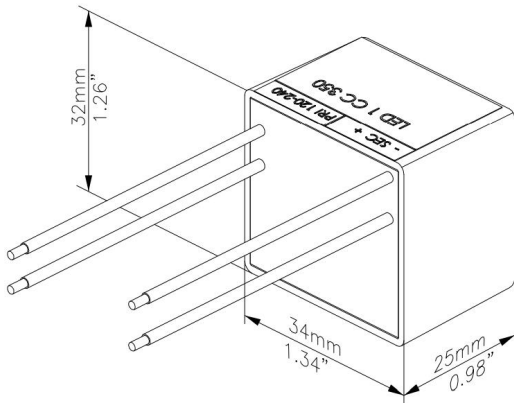
LED 1 DC 350mA

901001350

1W DC 350mA constant current LED power supply. Plastic Casing. Potted. Compact size. Universal input.

Current: DC

Availability: B



Specs

Power: 1.0 W

Input specs

Power factor: 0.57
 Input current: 0.03-0.05 A
 Input frequency: 0/50/60 Hz
 Input voltage: 100.0-240.0 V
 Efficiency: 50 %

Output specs

Output current: 350.0 mA
 Output voltage range: 2.0-6.0 V

Dimmable

Dimmable: false

Protections

Over temperature protection: true
 Reinforced insulation: true
 Input voltage surge protection: true

Environment

Ta min: -25.0 °C
 IP : 67
 Ta max: 50.0 °C
 Tc: 70.0 °C
 IP67 certification: yes
 Storage temp.: -10...70 °C

Standards

VDE EMC: EN61347-1; EN61347-2-13; EN62384
 CE: true
 VDE Safety: yes
 ENEC: Certified by VDE
 SELV: true

Mechanical

Potted: true
 Case color: black
 Output wire size: 18.0 AWG
 Weight: 0.052 kg
 Input wire size (mm²): 0.75 mm²
 Output wire color: black/red
 Casing width: 34.0 mm
 Casing length: 32.0 mm
 Case material: Plastic
 Input wires color: blue/brown
 Casing height: 25.0 mm

Marketing

Applications:
 1. LED in- and outdoor lighting
 3. Architectural lighting
 4. Orientation lighting
 5. Ambience lighting
 6. Task, Table and Floor lighting

Features:
 1. Designed for IP67
 2. Reinforced insulation from input to output
 3. Small form factor
 4. Protections: Electronic internal Self-Resettable Short Circuit, Input Voltage Surge, Thermal
 5. AC Input
 6. Fast Start-Up Time
 7. 100-240V Input

Sales

Availability: B

Notes:

- Specifications may vary without notice
- Always consult National, State and local electrical codes
- Parameters are measured at rated output, rated load and at an ambient temperature of 25°C
- Expect slight variation including component tolerance, setup tolerance, line regulation and load regulation
- Power supplies should always be stress tested and tested for EMC within specific fixtures
- Where grounding/earthing is not indicated, avoid grounding/earthing or contact with grounded/earthed metal enclosures
- Performance with dimmers, where supported, may vary depending on dimmer model
- Subject to limited warranty (3yr for transformers, 5yr for drivers) terms and conditions as published from time to time