

Constant Current LED Driver

Smart/S

LED Driver 350/450/500/600/650/700/800/900mA **25W**



Product Features:

- Wide range of Constant Current from 350-900mA
- IP20
- Rated Input Voltage : 110-240Vac
- Power Factor $\geq 0.87C/\geq 0.9C$
- Warranty : 30,000 hours
- Class II Protection
- Protection : Short and Open circuit proof, Overload protection
- Output side has a PWM port for Dimming
- Integrated Adjustable Switch to set the current value

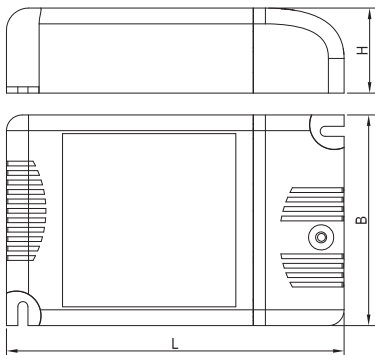
Conformities

EN 61347-1 EN 61347-2-13 EN 61547
 EN 55015 EN 61000-3-2 EN 61000-3-3



Item No.	AED25CC									
Work Mode	Constant Current Version									
Output	Output Current	350mA	450mA	500mA	600mA	650mA	700mA	800mA	900mA	
	Output Voltage Range	DC3-50V	DC3-50V	DC3-50V	DC3-42V	DC3-38V	DC3-36V	DC3-32V	DC3-28V	
	Max. Output Voltage	68V MAX								
	Output Power	25W MAX								
	Ripple Current	< 10%								
	THD(Full load)	< 20%								
Input	Input Current	0.33A								
	AC Input Voltage	110-240Vac								
	AC Input Voltage Range	100-277Vac								
	Input Frequency	50-60HZ								
	Max. Input Power	32.5W MAX								
	Power Factor(Full load)	$\geq 0.87C$				$\geq 0.9C$				
	Efficiency	$\geq 83\%$								
Standby Power	< 0.5W									
Others	Dimension	107.2x66.9x27mm								
	Lifetime	30000H								
	Approval	TUV-GS	TUV-GS	TUV-GS	TUV-GS	TUV-GS	TUV-GS	TUV-GS	TUV-GS	

Physical Parameter



L: 107.2mm B: 66.9mm
 H: 27mm
 Terminal block: Screw type
 Housing material: Polycarbonate
 Soldering: lead-free, comply with RoHS
 Label: Surface print
 Cable cross section: 0.5-1.0mm²
 Stripping: 6mm

Wiring Diagram

