

# Constant Current LED Driver

## Smart/S

LED Driver 200/250/300/350/500/600/700/900mA **13W**



### Product Features:

- Wide range of Constant Current from 200-900mA
- IP20
- Rated Input Voltage : 110-240Vac
- Power Factor  $\geq 0.9C$
- Warranty : 30,000 hours
- Class II Protection
- Protection : Short and Open circuit proof, Overload protection
- Output side has a PWM port for Dimming
- Integrated Adjustable Switch to set the current value

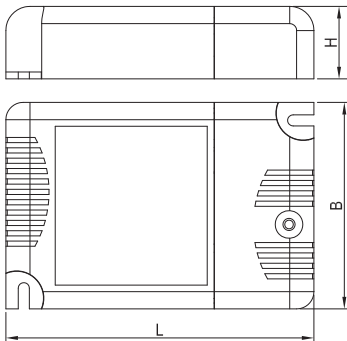
### Conformities

EN 61347-1                      EN 61347-2-13              EN 61547  
 EN 55015                      EN 61000-3-2              EN 61000-3-3



Item No.	AED13CC									
Work Mode	Constant Current Version									
Output	Output Current	200mA	250mA	300mA	350mA	500mA	600mA	700mA	900mA	
	Output Voltage Range	DC3-50V	DC3-50V	DC3-44V	DC3-38V	DC3-27V	DC3-22V	DC3-19V	DC3-14V	
	Max. Output Voltage	68V MAX								
	Output Power	13.0W MAX								
	Ripple Current	< 10%								
	THD(Full load)	< 20%								
Input	Input Current	0.18A								
	AC Input Voltage	110-240Vac								
	AC Input Voltage Range	100-277Vac								
	Input Frequency	50-60HZ								
	Max. Input Power	18.5W MAX								
	Power Factor(Full load)	$\geq 0.9C$								
	Efficiency	$\geq 77%$								
Others	Standby Power	< 0.5W								
	Dimension	89.2x59.8x21mm								
	Lifetime	30000H								
	Approval	TUV-GS	TUV-GS	TUV-GS	TUV-GS	TUV-GS	TUV-GS	TUV-GS	TUV-GS	

### Physical Parameter



L: 89.2mm B: 59.8mm  
 H: 21mm  
 Terminal block: Screw type  
 Housing material: Polycarbonate  
 Soldering: lead-free, comply with RoHS  
 Label: Surface print  
 Cable cross section: 0.5-1.0mm<sup>2</sup>  
 Stripping: 6mm

### Wiring Diagram

