

Constant Current LED Driver

Smart/S

LED Driver 150/200/250/300/350/500/600/700mA **08W**



Product Features:

- Wide range of Constant Current from 150-700mA
- IP20
- Rated Input Voltage : 110-240Vac
- Power Factor $\geq 0.9C$
- Warranty : 30,000 hours
- Class II Protection
- Protection : Short and Open circuit proof, Overload protection
- Output side has a PWM port for Dimming
- Integrated Adjustable Switch to set the current value

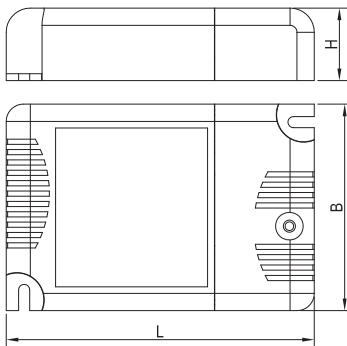
Conformities

EN 61347-1 EN 61347-2-13 EN 61547
 EN 55015 EN 61000-3-2 EN 61000-3-3



| Item No. | | AED08CC | | | | | | | |
|-----------|-------------------------|--------------------------|---------|---------|---------|---------|---------|---------|---------|
| Work Mode | | Constant Current Version | | | | | | | |
| Output | Output Current | 150mA | 200mA | 250mA | 300mA | 350mA | 500mA | 600mA | 700mA |
| | Output Voltage Range | DC3-50V | DC3-40V | DC3-32V | DC3-27V | DC3-23V | DC3-16V | DC3-14V | DC3-12V |
| | Max. Output Voltage | 68V MAX | | | | | | | |
| | Output Power | 8.0W MAX | | | | | | | |
| | Ripple Current | < 10% | | | | | | | |
| | THD(Full load) | < 20% | | | | | | | |
| Input | Input Current | 0.14A | | | | | | | |
| | AC Input Voltage | 110-240Vac | | | | | | | |
| | AC Input Voltage Range | 100-277Vac | | | | | | | |
| | Input Frequency | 50-60HZ | | | | | | | |
| | Max. Input Power | 12.5W MAX | | | | | | | |
| | Power Factor(Full load) | $\geq 0.9C$ | | | | | | | |
| | Efficiency | $\geq 74\%$ | | | | | | | |
| | Standby Power | < 0.5W | | | | | | | |
| Others | Dimension | 89.2x59.8x21mm | | | | | | | |
| | Lifetime | 30000H | | | | | | | |
| | Approval | TUV-GS | TUV-GS | TUV-GS | TUV-GS | TUV-GS | TUV-GS | TUV-GS | TUV-GS |

Physical Parameter



L: 89.2mm B: 59.8mm
 H: 21mm
 Terminal block: Screw type
 Housing material: Polycarbonate
 Soldering: lead-free, comply with RoHS
 Label: Surface print
 Cable cross section: 0.5-1.0mm²
 Stripping: 6mm

Wiring Diagram

