

Constant Current LED Driver

U/S

LED Driver 250/300/350/500/600/700mA **4W**



Product Features:

- Wide range of Constant Current from 250-700mA
- IP20
- Rated Input Voltage : 100-240Vac
- Power Factor ≥ 0.5
- Warranty : 30,000 hours
- Class II Protection
- Protection : Short and Open circuit proof, Overload protection

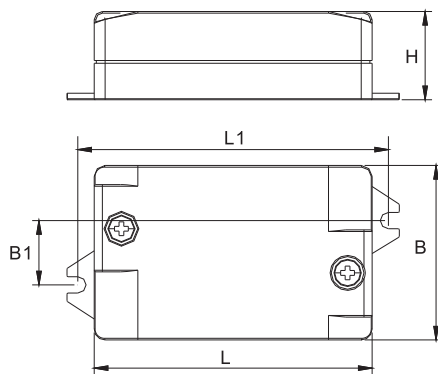
Conformities

EN 61347-1 EN 61347-2-13 EN 61547
EN 55015 EN 61000-3-2 EN 61000-3-3



Item No.	AED04-250ILS	AED04-300ILS	AED04-350ILS	AED04-500ILS	AED04-600ILS	AED04-700ILS	
Work Mode	Constant Current Version						
Output	Output Current	250mA	300mA	350mA	500mA	600mA	700mA
	Output Voltage Range	6-22V	3-12V	3-12V	3-10.5V	3-5V	3-5V
	Max. Output Voltage	Max. 26V	Max. 14V	Max. 14V	Max. 13V	Max. 7V	Max. 7V
	Output Power	1.5-5W	1-3.6W	1-4.2W	1.5-5.2W	1.8-3W	2-3.5W
	Ripple Current	10%					
	THD(Full load)	-					
Input	Input Current	150mA					
	AC Input Voltage	100-240Vac					
	AC Input Voltage Range	90-264Vac					
	Input Frequency	50-60HZ					
	Max. Input Power	7.4W	5.5W	6.5W	7.5W	4.5W	5.6W
	Power Factor(Full load)	≥ 0.5					
	Efficiency	$\geq 75\%$	$\geq 72\%$	$\geq 70\%$	$\geq 70\%$	$\geq 70\%$	$\geq 63\%$
	Standby Power	$\leq 0.5W$					
Others	Dimension	51.5x32.8x17mm					
	Lifetime	30000H					
	Approval	UL/CUL TUV/SAA	TUV	UL/CUL TUV/SAA	UL/CUL TUV/SAA	TUV	UL/CUL TUV/SAA

Physical Parameter



L: 51.5mm B: 32.8mm
L1: 57mm H: 17mm B1: 11.8mm
Terminal block: Screw type
Housing material: Polycarbonate
Soldering: lead-free, comply with RoHS
Label: Surface print
Cable cross section: 0.5-1.0mm²
Stripping: 6mm

Wiring Diagram

